



## Compact design

## Fixed setpoints

## Color coded modules

## DIN rail mountable

### Tamperproof (Pre-set) Thermostat FTO 011

NC / opens on temperature rise (**red** module housing) - for regulating heaters or for switching signal devices when temperature has fallen below the minimum value.

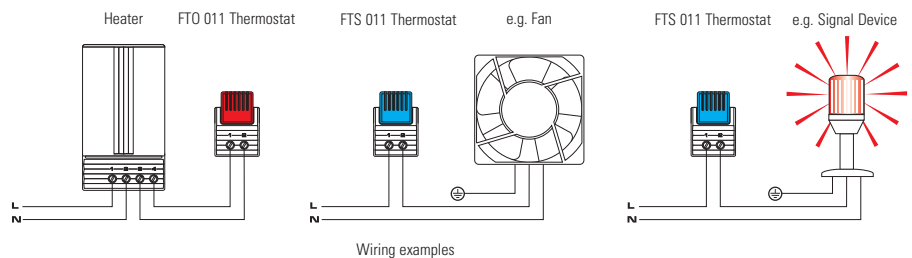
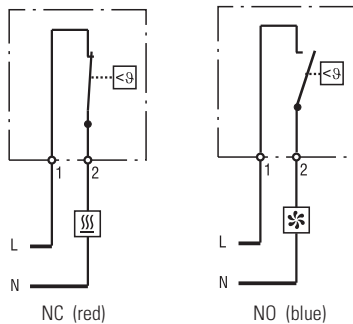
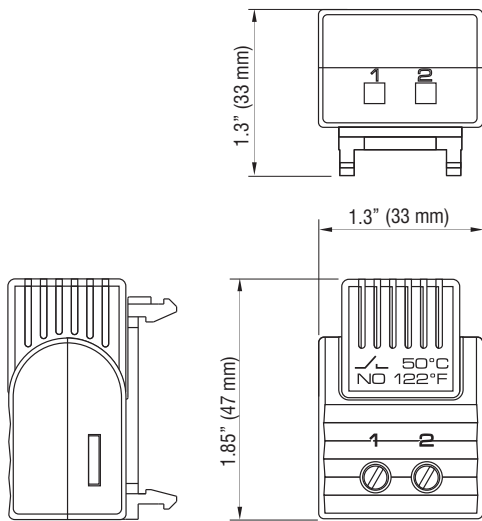
### Tamperproof (Pre-set) Thermostat FTS 011

NO / closes on temperature rise (**blue** module housing) - for regulating filter fans, heat exchangers, cooling devices or for switching signal devices when temperature limit has been exceeded.



## Technical Data

<b>Sensor element</b>	thermostatic bimetal
<b>Contact type</b>	snap-action contact
<b>Contact resistance</b>	< 20mΩ
<b>Service life</b>	> 100,000 cycles
<b>Max. switching capacity</b>	10A resistive / 2A inductive @ 120VAC 5A resistive / 1.6A inductive @ 240VAC DC 30W
<b>Max. inrush current</b>	AC 10A
<b>EMC</b>	acc. to EN 55014-1-2, EN 61000-3-2, EN 61000-3-3
<b>Connection</b>	2-pole terminal for AWG 14 max. (2.5mm <sup>2</sup> ), torque 0.8Nm max.
<b>Housing</b>	plastic, UL 94V-0, light grey
<b>Mounting</b>	clip for 35mm DIN rail, EN 60 715
<b>Mounting position</b>	vertical
<b>Operating temperature</b>	-4 to +176°F (-20 to +80°C)
<b>Storage temperature</b>	-49 to +176°F (-45 to +80°C)
<b>Dimensions</b>	1.85 x 1.3 x 1.3" (47 x 33 x 33mm)
<b>Weight</b>	approx. 0.8 oz. (23g)
<b>Protection type</b>	IP20
<b>Approvals</b>	UL File No. E164102, VDE



Part No.	Contact	Switch-off temperature	Switch-on temperature
01160.0-00	NC - open on rise	59°F / 15°C (± 9°F / 5K tolerance)	41°F / 5°C (± 9°F / 5K tolerance)
01160.0-01	NC - open on rise	77°F / 25°C (± 9°F / 5K tolerance)	59°F / 15°C (± 9°F / 5K tolerance)
		Switch-on temperature	Switch-off temperature
01161.0-00	NO - close on rise	122°F / 50°C (± 11°F / 6K tolerance)	104°F / 40°C (± 12.6°F / 7K tolerance)
01161.0-01	NO - close on rise	140°F / 60°C (± 11°F / 6K tolerance)	122°F / 50°C (± 12.6°F / 7K tolerance)
01161.0-02	NO - close on rise	95°F / 35°C (± 11°F / 6K tolerance)	77°F / 25°C (± 12.6°F / 7K tolerance)

Specifications are subject to change without notice. Suitability of this product for its intended use and any associated risks must be determined by the end customer/ buyer in its final application.